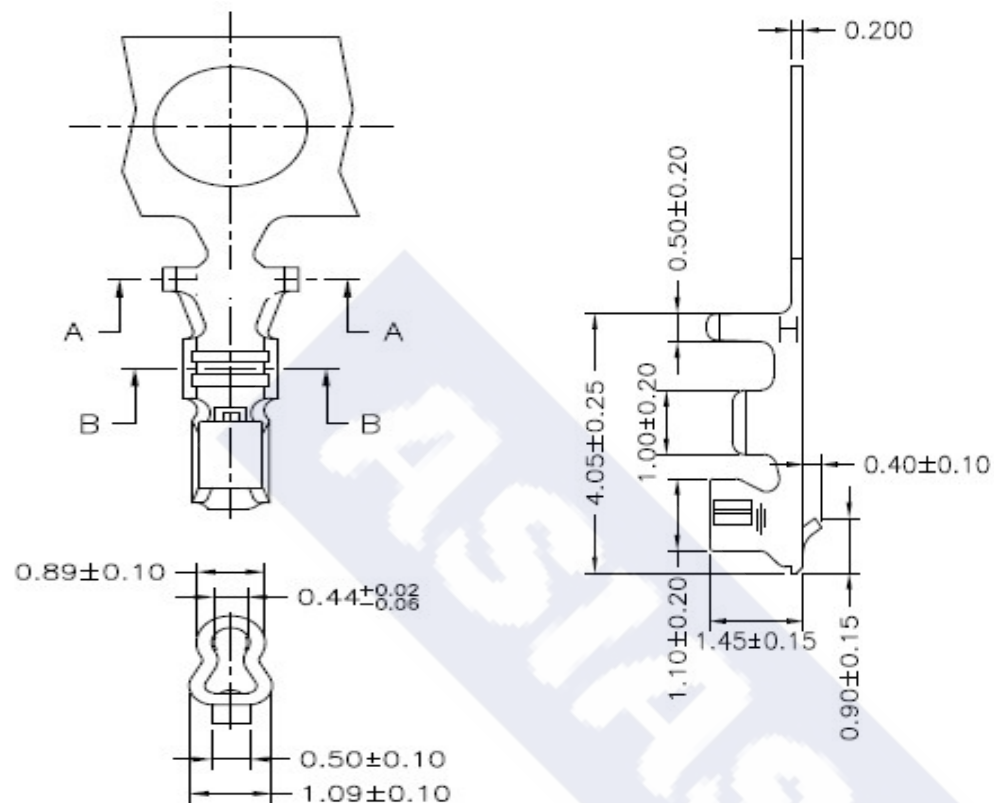


RoHS

Reach



Ordering Information & Specification

Part NO.	Wire Range	Insulation O.D.	Material	Finish	SPQ
1500JT-TP	AWG#26~AWG#32	1.10mm(max)	Phosphor Bronze	Tin-plated	15,000 pcs/reel
1500JT-GP	AWG#26~AWG#32	1.10mm(max)	Phosphor Bronze	Gold-flash	15,000 pcs/reel

** Stamping before plating

DESCRIPTION :
**1.50mm Pitch,
 Crimp Terminal**

PART NO. :
1500JT-XP

GENERAL TOLERANCE

X.X \pm 0.25
 X.XX \pm 0.15
 X.XXX \pm 0.05

SCALE : Free

