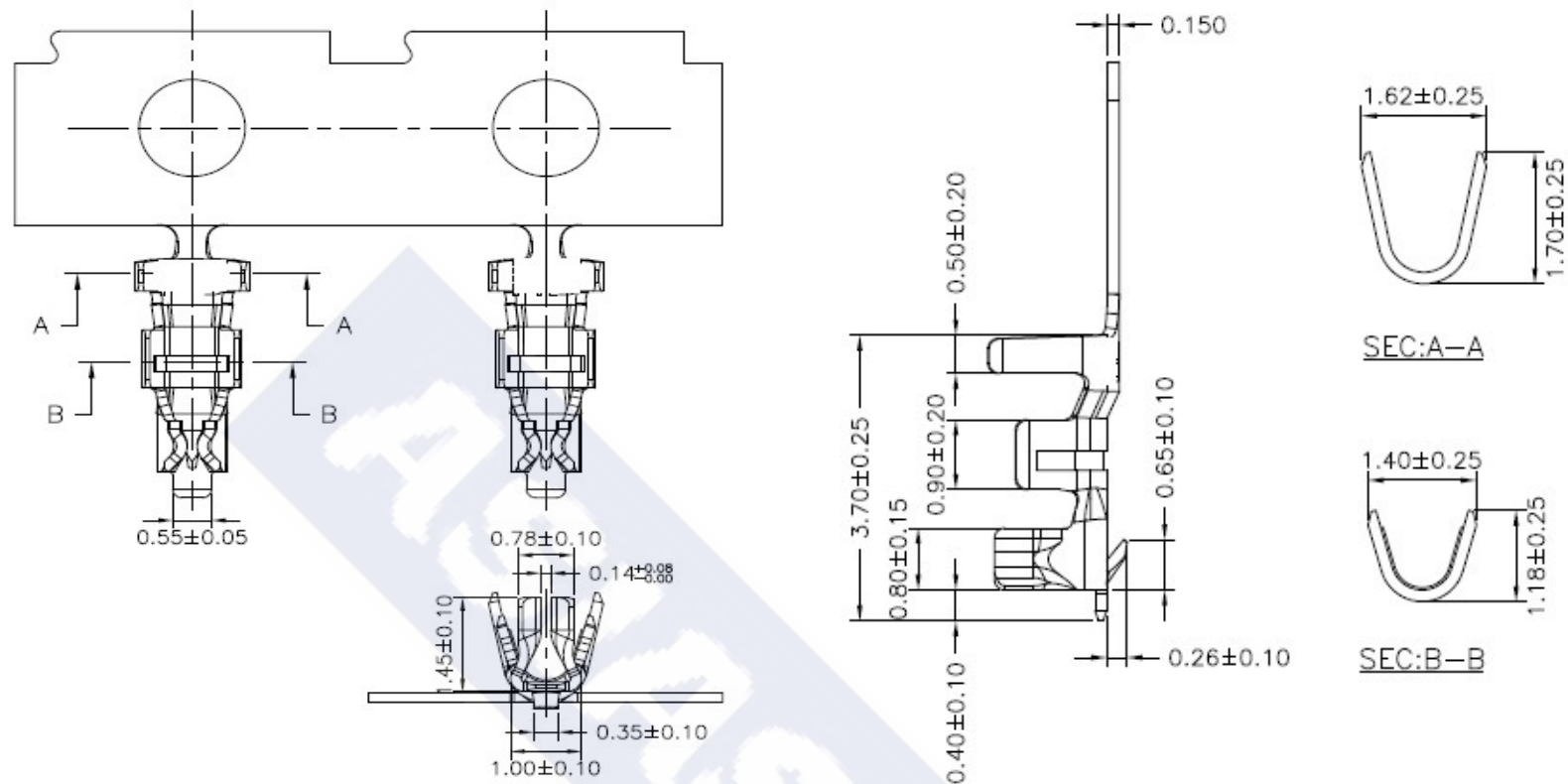


RoHS

Reach



## Ordering Information &amp; Specification

Part NO.	Wire Range	Insulation O.D.	Material	Finish	SPQ
1252JT-TP	AWG#26~AWG#30	1.00mm(max)	Phosphor Bronze	Tin-plated	10,000 pcs/reel
1252JT-GP	AWG#26~AWG#30	1.00mm(max)	Phosphor Bronze	Gold-flash	10,000 pcs/reel

**ASIAS** ASIAS TECHNOLOGY CO.,LTD.

DESCRIPTION :  
**1.25mm Pitch,  
Crimp Terminal**

PART NO. :  
**1252JT-XP**

## GENERAL TOLERANCE

X.X  $\pm 0.25$   
X.XX  $\pm 0.15$   
X.XXX  $\pm 0.05$

SCALE : Free

